

When we receive calls about machines, especially the HB-1430 or HB-1030 not elevating, the issue usually has something to do with the pothole plunger being bent. It's a common wear item that gets overlooked because it's under the scissor stack.

Here's how you check your lift's pothole plunger.

1. First check that the machine has adequate power to run the pump. At terminal 19 of the terminal block inside the lower control panel, check for 22+ volts DC. Use terminal 21 as a ground.



2. If you do have 22+ volts DC, you will need a 5-6 inch piece of wire to jump power to the up coil.
3. Connect one end of the jumper and the large red wire (+24VDC) of the solenoid.
4. Touch the other end of the jumper wire on the anode side of the diode with the white wire. The side of the diode away from the terminal.



CAUTION - This will immediately cause the platform to lift.

5. Keep the jumper wire in place until the platform of the machine is about 5-6 feet in the air.
6. Once at the desired height, you can remove the jumper wire.
7. Check the silver plunger that's in the middle of the machine base (look under the scissor stack towards the rear of the machine). A bent plunger will miss the limit switch in the bottom of the scissor stack and won't allow your machine to elevate.

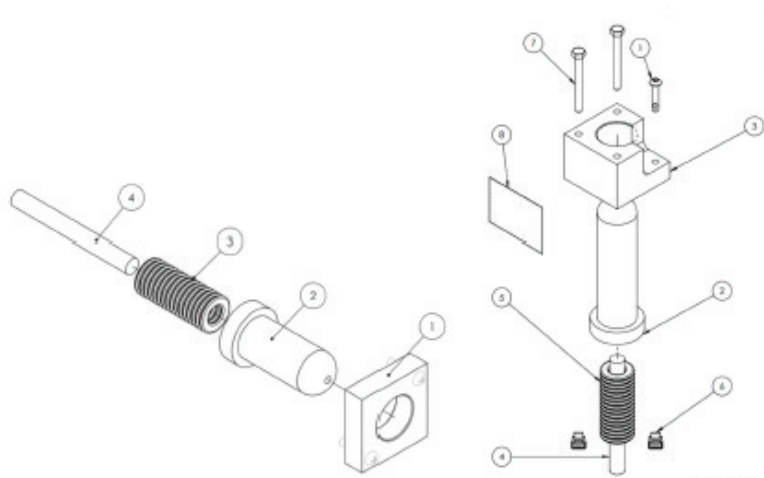


8. With the scissor stack off the plunger, go to the lower control rocker switch and raise the machine to verify it's able to lift.
9. To repair the bent plunger, remove the two bolts that hold the plunger back down. Once removed, pull out the plunger, plunger spring, and rod. The rod may need to be straightened.

This is a very easy fix — only a few minutes are needed to get your machine back up and running. You have two options to fix a bent plunger rod:

1. Straighten and reinstall the rod upside down into the machine.
2. Order a new plunger kit (112-21-426-50-K) which incorporates a larger Delrin block to add additional support to the plunger rod.

Shown below are the 2 revisions of the plunger assembly: left is original, right is the revised version.



If you have any additional questions, don't hesitate to contact our service team at [262-297-5195](tel:262-297-5195).

We're here to help you reach higher!